

# cinquecento SERIES KRBY512 KRBY515 KRBY520 KRBY525

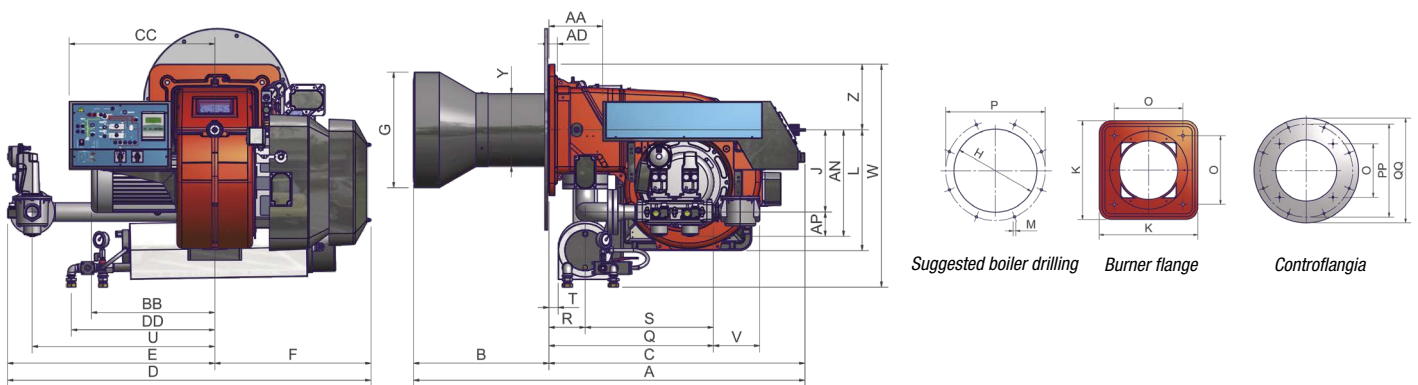
GAS/HEAVY OIL

**PNEUMATIC ATOMIZATION WITH ELECTRONIC OPERATION**  
with viscosity up to 4000 cSt at 50°C (530°E at 50°C)

## TECHNICAL DETAILS

Type	Model	Output kW		Auxiliary electrical power supply	Motor electrical power supply	Fan motor kW	Pump motor kW	Resistor kW	Gas connections Rp	Noise level dBA
		min.	max.							
<b>KRBY512</b>	MH.xx.S.xx.A.1.xxx.xx	600	4.500	230 V 1N AC 50 Hz	400 V 3 AC 50 Hz	9,2	0,75	18	2" - DN65 - DN80 - DN100	81,7
<b>KRBY515</b>	MH.xx.S.xx.A.1.xxx.xx	770	5.200	230 V 1N AC 50 Hz	400 V 3 AC 50 Hz	11,0	0,75	18	2" - DN65 - DN80 - DN100	82,3
<b>KRBY520</b>	MH.xx.S.xx.A.1.xxx.xx	1.000	6.400	230 V 1N AC 50 Hz	400 V 3 AC 50 Hz	15,0	0,75	24	2" - DN65 - DN80 - DN100	83,2
<b>KRBY525</b>	MH.xx.S.xx.A.1.xxx.xx	2.000	8.000	230 V 1N AC 50 Hz	400 V 3 AC 50 Hz	18,5	0,75	24	DN65 - DN80 - DN100	84,9

For the configuration of the gas train, see page 112-113.



Low pressure pump set (pump, motor and filter) is included, but supplied loose (not assembled on the burner).

Type	Model	Overall dimensions (mm)																													
		DN	A	AA	AN	AP	B*	BB	C	CC	D	E	F	G	H	J	K	L	M	O	P	Q	R	S	U	V	W	Z	Y	PP	QQ
<b>KRBY512</b>	MH.xx.x.xx.A.1.50	50	1660	523	594	100	593	508	1067	636	1512	870	642	500	550	494	540	560	M14	390	800	755	150	605	750	216	916	270	319	800	850
<b>KRBY512</b>	MH.xx.x.xx.A.1.65	65	1660	523	612	118	593	508	1067	636	1517	875	642	500	550	494	540	560	M14	390	800	633	150	485	750	292	916	270	319	800	850
<b>KRBY512</b>	MH.xx.x.xx.A.1.80	80	1660	523	626	132	593	508	1067	636	1624	986	642	500	550	494	540	560	M14	390	800	685	150	535	858	322	916	270	319	800	850
<b>KRBY512</b>	MH.xx.x.xx.A.1.100	100	1660	523	639	145	593	508	1067	636	1727	1085	642	500	550	494	540	560	M14	390	800	792	150	642	942	382	916	270	319	800	850
<b>KRBY515</b>	MH.xx.x.xx.A.1.50	50	1639	523	594	100	572	508	1067	636	1512	870	642	500	550	494	540	560	M14	390	800	755	150	605	750	216	916	270	319	800	850
<b>KRBY515</b>	MH.xx.x.xx.A.1.65	65	1639	523	612	118	572	508	1067	636	1517	875	642	500	550	494	540	560	M14	390	800	633	150	485	750	292	916	270	319	800	850
<b>KRBY515</b>	MH.xx.x.xx.A.1.80	80	1639	523	626	132	572	508	1067	636	1624	986	642	500	550	494	540	560	M14	390	800	685	150	535	858	322	916	270	319	800	850
<b>KRBY515</b>	MH.xx.x.xx.A.1.100	100	1639	523	639	145	572	508	1067	636	1727	1085	642	500	550	494	540	560	M14	390	800	792	150	642	942	382	916	270	319	800	850
<b>KRBY520</b>	MH.xx.x.xx.A.1.50	50	1650	523	594	100	583	508	1067	636	1512	870	642	527	577	494	540	560	M14	390	800	755	150	605	750	216	916	270	328	800	850
<b>KRBY520</b>	MH.xx.x.xx.A.1.65	65	1650	523	612	118	583	508	1067	636	1517	875	642	527	577	494	540	560	M14	390	800	633	150	485	750	292	916	270	328	800	850
<b>KRBY520</b>	MH.xx.x.xx.A.1.80	80	1650	523	626	132	583	508	1067	636	1624	986	642	527	577	494	540	560	M14	390	800	685	150	535	858	322	916	270	328	800	850
<b>KRBY520</b>	MH.xx.x.xx.A.1.100	100	1650	523	639	145	583	508	1067	636	1727	1085	642	527	577	494	540	560	M14	390	800	792	150	642	942	382	916	270	328	800	850
<b>KRBY525</b>	MH.xx.x.xx.A.1.65	65	1619	523	612	118	552	508	1067	636	1517	875	642	572	632	494	540	560	M14	390	800	633	150	485	750	292	916	270	328	800	850
<b>KRBY525</b>	MH.xx.x.xx.A.1.80	80	1619	523	626	132	552	508	1067	636	1624	986	642	572	632	494	540	560	M14	390	800	685	150	535	858	322	916	270	328	800	850
<b>KRBY525</b>	MH.xx.x.xx.A.1.100	100	1619	523	639	145	552	508	1067	636	1727	1085	642	572	632	494	540	560	M14	390	800	792	150	642	942	382	916	270	328	800	850

Approximate values

\* The dimension B is reduced by 25 mm with counterflange and gasket.