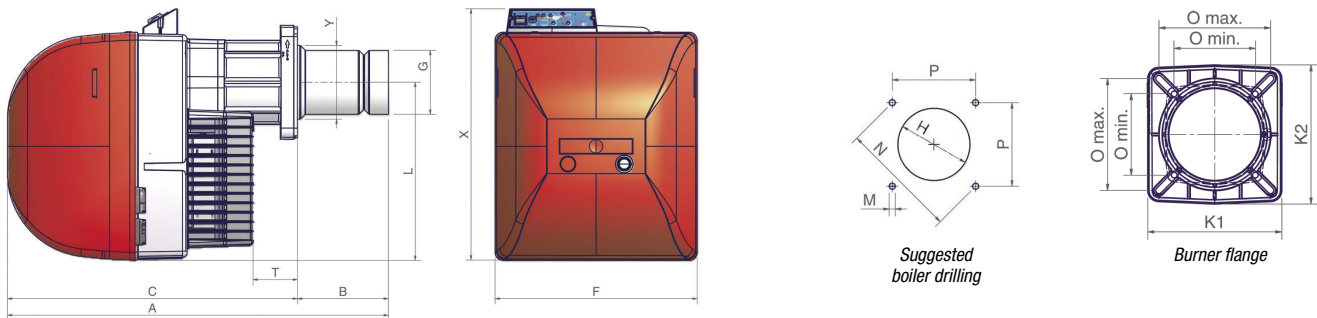


TECHNICAL DETAILS

Type	Model	Power kW		Electric power supply	Fan motor kW
		min.	max.		
<b>L0280</b>	G-.TN.x.xx.A	115	310	230 V 1N ac	0,25
<b>L0280</b>	G-.AB.x.xx.A	70	310	230 V 1N ac	0,25
<b>L0400</b>	G-.TN.M.xx.A	195	420	230 V 1N ac	0,37
<b>L0400</b>	G-.AB.M.xx.A	115	420	230 V 1N ac	0,37
<b>L0550</b>	G-.TN.x.xx.A	200	560	230 V 1N ac	0,62
<b>L0550</b>	G-.AB.x.xx.A	160	560	230 V 1N ac	0,62



Type	Packaging dimensions (mm)			
	l	p	h	kg
<b>L0280/350/400</b>	1120	440	580	42
<b>L0550</b>	1200	460	630	55

Approximate values

Type	Model	Overall dimensions (mm)											Boiler drilling (mm)				Burner flange (mm)			
		A	AL	B	BL	C	F	G	Y	L	T	X	H	M	N	P	O		K1	K2
																		min.	max.	
<b>L0280</b>	G-.TN.x.xx.A	733	878	163	308	570	396	108	108	348	128	460	128	M10	219	155	131	179	215	223
<b>L0280</b>	G-.AB.x.xx.A	733	878	163	308	570	396	108	108	348	128	492	128	M10	219	155	131	179	215	223
<b>L0400</b>	G-.xx.x.xx.A	748	878	178	308	570	396	125	144	348	89	491	164	M10	219	155	131	179	215	223
<b>L0550</b>	G-.xx.x.xx.A	843	943	253	353	590	426	155	155	384	69	533	175	M10	247	174	157	192	241	241

Approximate values

MECHANICAL OPERATION

Model	Operation	<b>L0280</b>		<b>L0400</b>		<b>L0550</b>	
		Code	Price €	Code	Price €	Code	Price €
<b>G-.TN.S.xx.A</b>	TN	027050701		-		028050101	
<b>G-.TN.M.xx.A</b>	TN	-		027050301		-	
<b>G-.AB.S.xx.A</b>	AB	027050702		-		028050102	
<b>G-.AB.M.xx.A</b>	AB	-		027050302		-	
<b>G-.AB.S.xx.A.M ▲</b>	AB	-		-		028050502	
<b>G-.AB.M.xx.A.M ▲</b>	AB	-		027050402		-	

S = Standard combustion head (BS)

L = For long combustion head version (BL) increase the price (see price list)

▲ Version with hydraulic ram

In compliance with:

- Low Tension Directive 2014/35/UE - Electromagnetic Compatibility Directive 2014/30/UE - Machinery Directive 2006/42/CE