

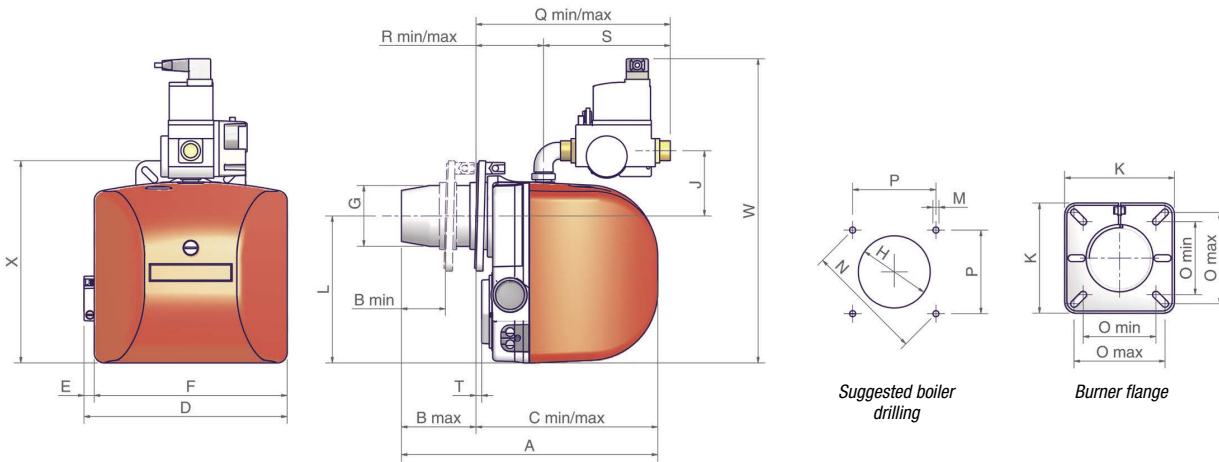
GAS

NGX35 NGX70 *idea* SERIES

TECHNICAL DETAILS

Type	Model	Power kW		Electric power supply	Fan motor kW	Gas connections
		min.	max.			
NGX35	M-.TN.x.xx.A.0.xx	27	41	230 V 1N ac	0,075	1/2"
NGX70	M-.TN.x.xx.A.0.xx	40	65	230 V 1N ac	0,10	1/2" - 3/4"
NGX70	M-.AB.x.xx.A.0.xx	21	65	230 V 1N ac	0,10	1/2" - 3/4"

For the configuration of the gas train, see page 101.



Type	Packaging dimensions (mm)			
	l	p	h	kg
NGX35	290	260	490	10
NGX70	400	300	520	14

Approximate values

Type	Model	Overall dimensions (mm)															Boiler drilling (mm)				Burner flange (mm)						
		A	B		C		D	E	F	G	J	L	Q		R		S	T	W	X	H	M	N	P	K	O	
		min. max.		min. max.								min. max.		min. max.											min. max.		
NGX35	M-.TN.S.xx.A.0.xx	338	58	98	240	280	269	14	255	80	86	194	257	297	89	129	180	7	400	266	95	M8	153	108	145	96	120
NGX35	M-.TN.L.xx.A.0.xx	418	58	178	240	360	269	14	255	80	86	194	257	417	89	209	180	7	400	266	95	M8	153	108	145	96	120
NGX70	M-.xx.S.xx.A.0.xx	393	76	299	304	14	291	80	99	218	296	130	180	7	438	291	95	M8	153	108	145	96	120				
NGX70	M-.xx.L.xx.A.0.xx	461	76	149	294	377	304	14	291	80	99	218	292	375	125	208	180	7	438	291	95	M8	153	108	145	96	120

Approximate values